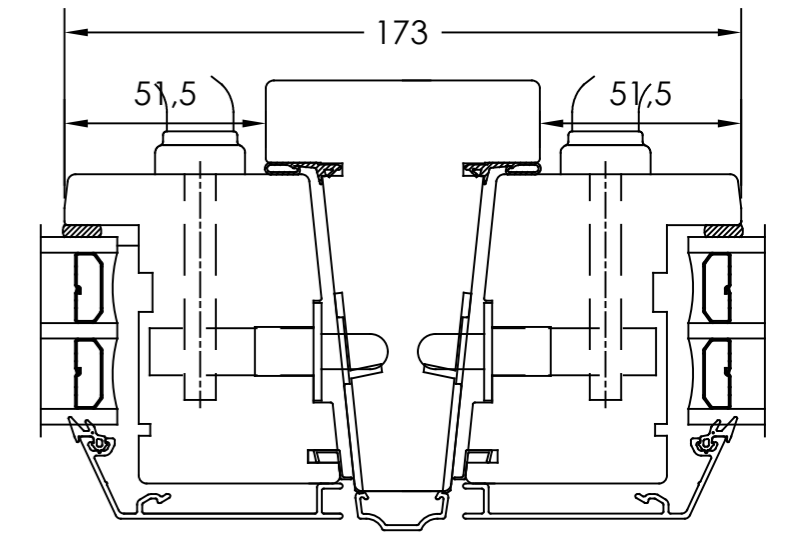
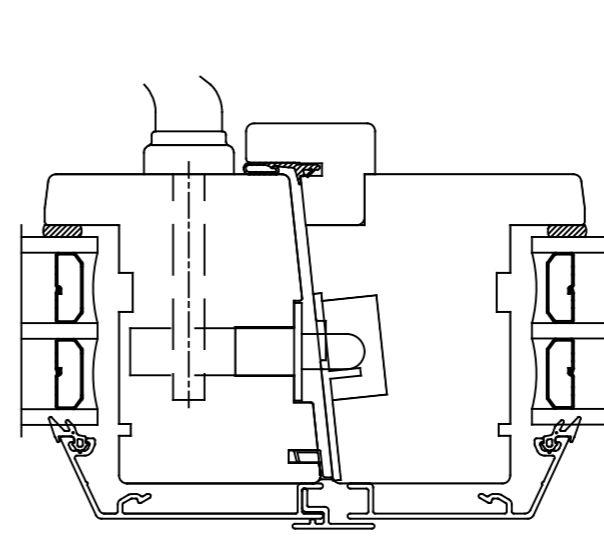
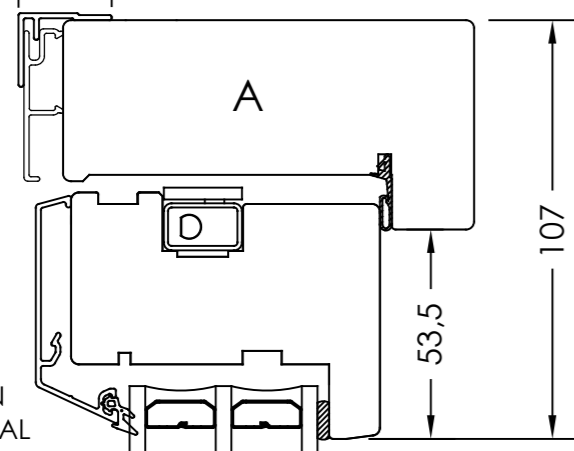


Rev	Description	Rev. by	Date



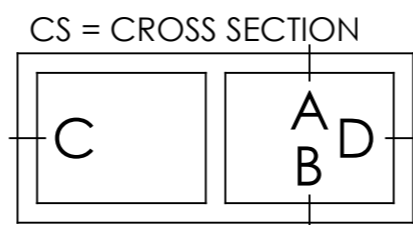
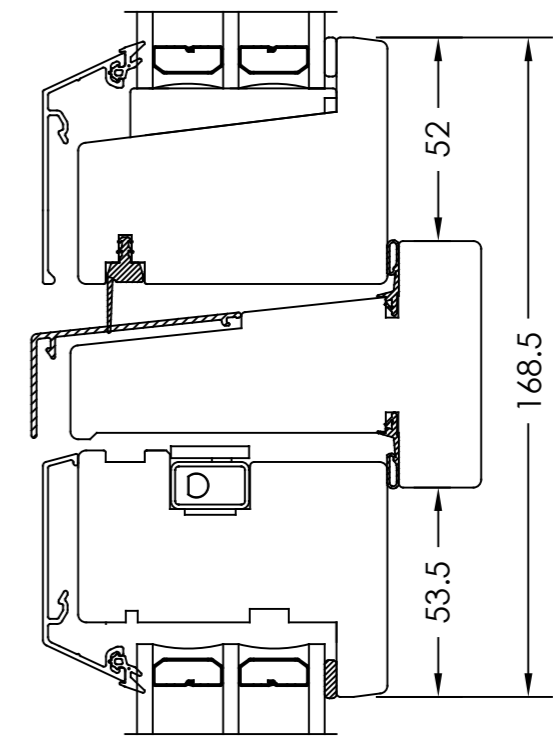
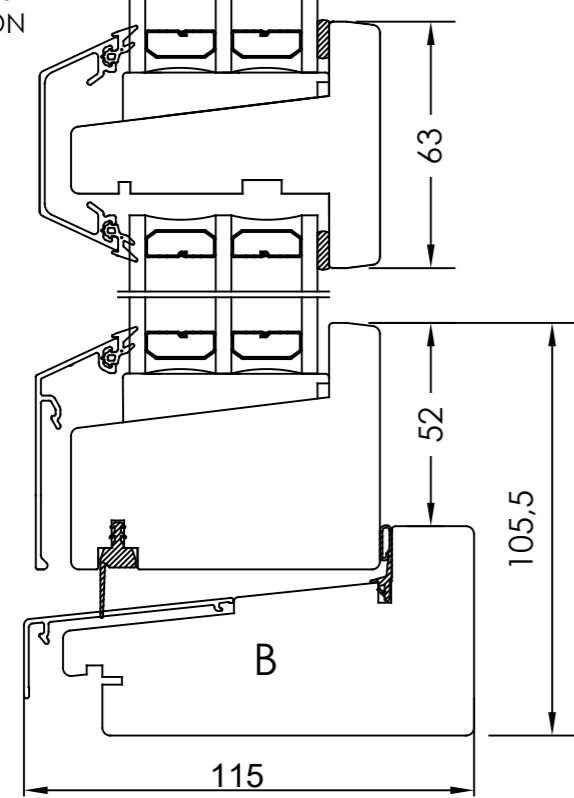
VERTICAL AND TOP OPTION
- Profile for plastered fasades.
Frame depth 117mm.



ALL AROUND OPTION
- Internal slot.



ALL AROUND OPTION
- Antique internal design.



Designed by JW	Designed date 2023-03-31	Product Category Window Outward	Processing Code
Approved by JB	Approved date 2023-12-11	Product Type Side Hung	Material
		Sidhängt 48 mm 3-glas, alu Side Hung 48 mm 3-glass, alu	Tolerances unless otherwise specified
		View orientation 	
		Article Number	Scale
		Drawing Number 61-37-S221	Revision A

We reserve all rights in this document and in the information contained therein. Reproduction, use or disclosure to third parties without express authority is strictly forbidden. INWIDO